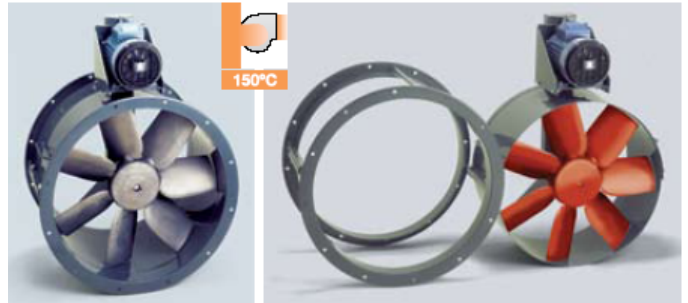




* ASPIRATORE AKSIALE CILINDRIKE ME TRANSMISION

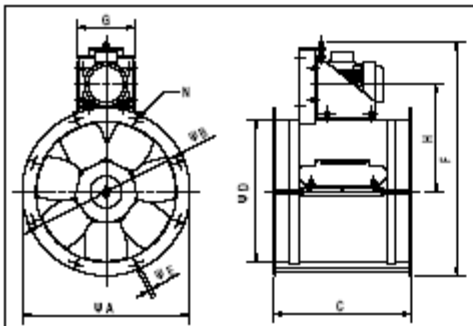
SERIA TTT IP55 KLASI F

- Motori ne kete tip aspiratori eshte jashte rrymes se ajrit i cili percjell dhe reziston deri ne temperaturen +150°C
- Helika e tyre eshte e projektuar per te arritur kapacitetin me te larte te prurjes se ajrit me presion gjithashtu te larte
- Me helike alumini
- Forma cilindrike qe kane lehteson montimin e tyre, sepse perfshihen ne linje
- Rregullimi i shpejtesise me INVERTER



EMERTIMI	PRURJA (m³/h)	FUQIA (W)	RRROT/MIN (rpm)	RRYMA (v)	NIVELI ZHURMES dB(A)	DIAMETRI I HELIKES Ø (mm)	PESHA (kg)	CMIMI
TTT/4-450-H	7500	550	1415	400	70	450	25	€
TTT/4-450-H	10800	750	1415	400	73	500	38	€
TTT/4-450-H	14000	1100	1415	400	75	560	35	€
TTT/4-450-H	16000	1500	1415	400	77	630	50	€
TTT/4-450-H	23700	2200	1415	400	81	710	64	€
TTT/4-450-H	32000	4000	1415	400	92	800	82	€

DIMENSIONET DHE DIAGRAMAT E ASPIRATOREVE TTT



Type	Ø A	Ø B	C	Ø D	Ø E	F	G	H	No. of holes N
TTT/4-450	537	500	442	450	12	749	183	344	8
TTT/4-500	595	560	450	500	12	803	183	369	12
TTT/4-560	655	620	450	560	12	903	208	420	12
TTT/4-630	725	690	450	630	12	978	208	458	12
TTT/4-710	806	770	490	710	12	1085	228	519	16
TTT/4-800	896	860	490	800	12	1184	253	573	16

