

PLATE MOUNTED AXIAL FLOW FANS

HIT/HIB-NP Series



HIT-NP



Description

The HIT-NP range of belt driven axial flow fans consists of three nominal fan diameters, 800, 1000 and 1250 mm respectively. These three sizes can be supplied with motors in single or three phase and with various power ratings, providing a total of eight different product variations. Air volume performance ranges from 13,500 up to 40,700 m³/hr.

The HIT-NP range have been designed to be installed directly into walls or panels and provide large air volume extraction or supply. The robust metallic construction means that the range are suitable for a wide range of harsh agricultural and industrial ventilation applications.

All standard models incorporate an automatically actuated louvre shutter fitted to the discharge side and a steel mesh guard fitted on the inlet side.

Applications

The HIT range of belt drive axial fans are ideal products for moving large volumes of air at low system pressures and with the minimum of noise generation. Typically the HIT range is suitable for the following ventilation applications:

- Agricultural extract or supply applications
- Commercial greenhouses
- Commercial / industrial drying rooms
- Large workshops
- Factories
- Welding bays
- And general applications where large air volumes are required at low noise levels.

Plate mounted axial flow fans

Construction

Casings

The casings are manufactured from galvanised sheet steel and incorporate an electro-welded steel mesh protection guard mounted on the inlet. All standard models are fitted with an automatic louvre shutter on the outlet side of the fan (type - NP). If required the units can be supplied without this automatic louvre and replaced with a steel mesh guard on the discharge (type - N).

Automatic Louvre Shutter

Located at the discharge of the fan, the multi bladed shutter automatically opens and closes when the fan is switched on and off. This type of shutter is particularly suited to installations that are exposed to high wind speeds and harsh external weather conditions.

tions that are exposed to high wind speeds and harsh external weather conditions.

Impellers

All impellers have been manufactured from galvanised sheet steel. The impellers have been specifically designed to maximise the air volume and efficiency while minimising the noise level and electrical consumption.

Motors

All models incorporate asynchronous induction motors with a squirrel cage rotor in die cast aluminium. Manufactured in accordance with IEC 34-1 standard. The motors are fitted to a plate support which facilitates the adjustments of the belt tension. The following specifications apply.

specifications apply.

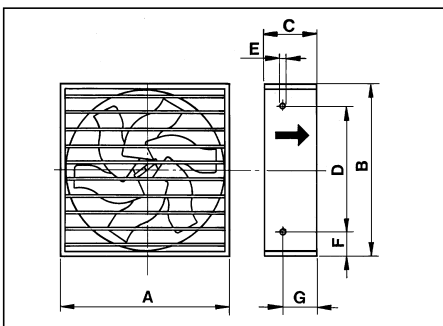
- Three Phase, 230/400V 50Hz or Single Phase 230V 50Hz.
- IP-55 protection.
- All motors incorporate Class F Insulation (working temperatures -40° C up to +70° C).
- All models incorporate a "serviceable" Auto-Reset Thermal Overload Protection device.

Before installation, it is important to check that the product electrical characteristics listed on the data plate label (voltage, power, frequency etc), match those of the intended electrical supply.

Technical characteristics

SINGLE PHASE	THREE PHASE	Motor power	Motor speed	Impeller speed	Maximum air volume	Sound pressure level	Weight
Tipo	Tipo	(kW)	(r.p.m.)	(r.p.m.)	(m ³ /h)	(dB(A))	(kg)
HIB-800 NP (0,37)	HIT-800 NP (0,37)	0,37	2800	575	13500	63	48
HIB-800 NP (0,55)	HIT-800NP (0,55)	0,55	2800	620	15700	64	50
HIB-1000 NP (0,37)	HIT-1000 NP (0,37)	0,37	1400	410	16900	58	60
HIB-1000 NP (0,55)	HIT-1000 NP (0,55)	0,55	1400	465	19400	60	62
HIB-1000 NP (0,75)	HIT-1000 NP (0,75)	0,75	1400	495	21200	62	65
HIB-1250 NP (0,75)	HIT-1250 NP (0,75)	0,75	1400	435	30500	59	87
HIB-1250 NP (1,1)	HIT-1250 NP (1,1)	1,1	1400	490	36000	62	90
HIB-1250 NP (1,5)	HIT-1250 NP (1,5)	1,5	1400	545	40700	64	93

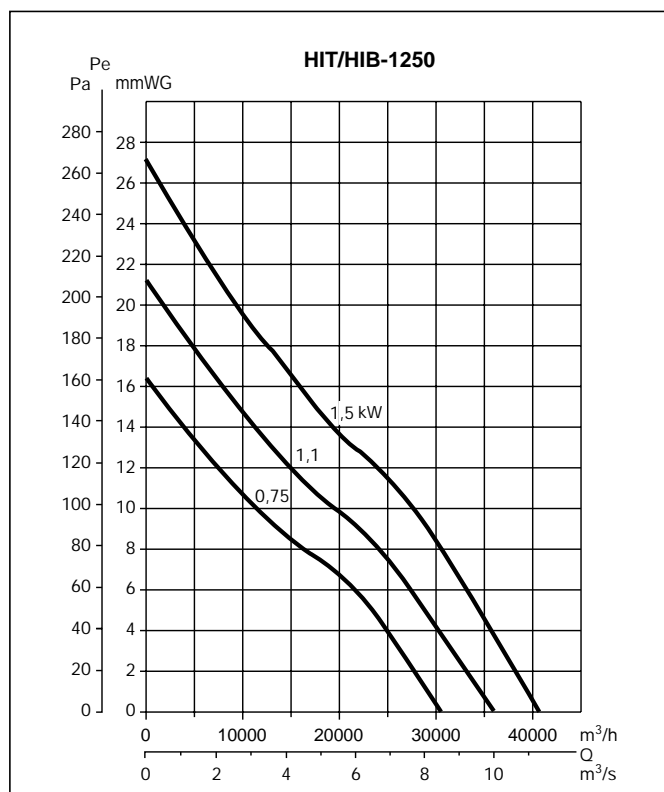
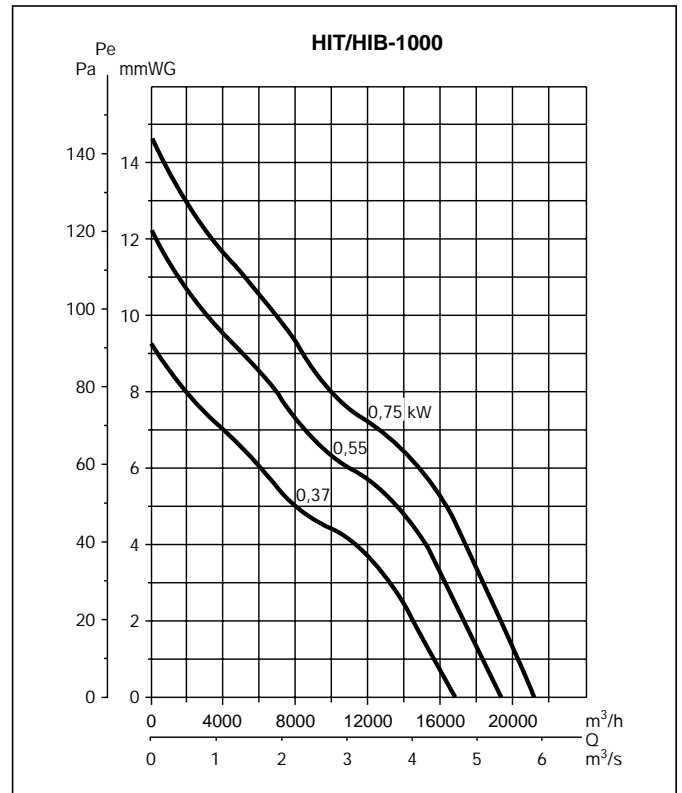
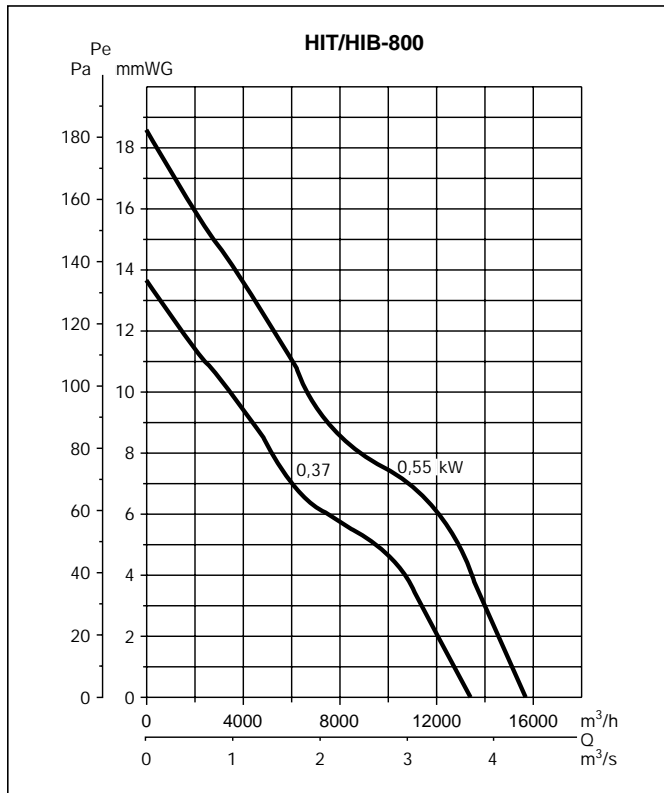
Dimensions (mm)



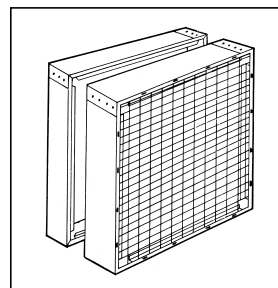
Type	A	B	C	D	Ø E	F	G
HIT o HIB-800	925	925	427	470	10,5	227	165
HIT o HIB-1000	1125	1125	447	685	10,5	345	205
HIT o HIB-1250	1375	1375	480	560	10,5	283	180

■ Performance curves

- Q = Air volume in, m³/hr and m³/s
- Pe = Static pressure in mmWG and Pa.
- Dry air at 20 °C and 760 mmHg.
- Air flow data in accordance with the following standards: UNE 100-212-89, BS 848, Part 1, AMCA 210-85 and ASHRAE 51-1985.



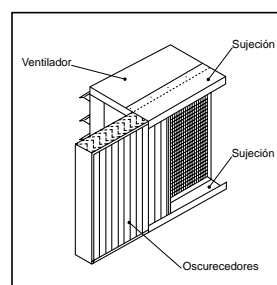
■ Accessories



Safety Guard Kit

For any given installation where the lowest point on the fan is mounted less than 2.5m from ground / floor level, a Safety Guard Kit must be fitted to prevent access to the moving parts. All installations must include this accessory to comply with the European Machinery Directive and reasonable measures of safety. All installations must be made in accordance with all applicable standards of the country of installation.

- Safety guard kit HIT/HIB-800 NP
- Safety guard kit HIT/HIB-1000 NP
- Safety guard kit HIT/HIB-1250 NP



Black-Out Kit

For special applications, a range of kits are offered that incorporate a metallic protection panel which excludes the entry of any natural light. Typical applications would include horticultural and poultry Ventilation applications.

- Black-Out kit HIT/HIB-800NP
- Black-Out kit HIT/HIB-1000NP
- Black-Out kit HIT/HIB-1250NP