

# CYLINDRICAL CASED AXIAL FLOW FANS TBT Series



## Description

Range of cased axial fans fitted with two pole motors for high pressure application.

## Applications

The TBT range are designed to be mounted within, or at the end of ducted ventilation systems. They are suitable for many applications including:

- General ventilation of commercial and industrial premises.
- Process ventilation applications.

Before installation, it is important to check that the product electrical characteristics listed on the data plate label (voltage, power, frequency etc), match those of the intended electrical supply.

## Construction

### Casing

The fan casing is formed from rolled sheet steel. The complete assembly is finished with a grey epoxy-polyester paint coating.

### Impeller

All models incorporate one-piece die cast aluminium impellers. The impellers are finished in a red colour polyester paint coating.

### Motors

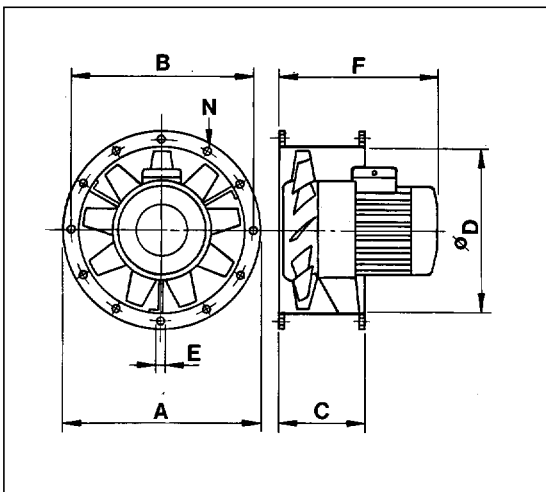
All models incorporate asynchronous induction motors with squirrel cage rotor in die cast aluminium, available in Three Phase – 230/400 V 50 Hz.

## Technical characteristics

Model Type	Direction of airflow	Speed (r.p.m.)	Maximum power absorbed (kW)	Maximum absorbed current (A)		Degree of protection	Insulation class	Maximum air volume (m <sup>3</sup> /h)	Sound pressure level (dB(A))*	Weight (kg)
				230 V	400 V					
TBT/2-400	B	2800	1,5	5,98	3,45	IP-55	Class F	9300	84	35
TBT/2-450	B	2820	3	10,91	6,30	IP-55	Class F	13200	87	59

\* Reduce by 10 dB(A) when installing within a ducted system.

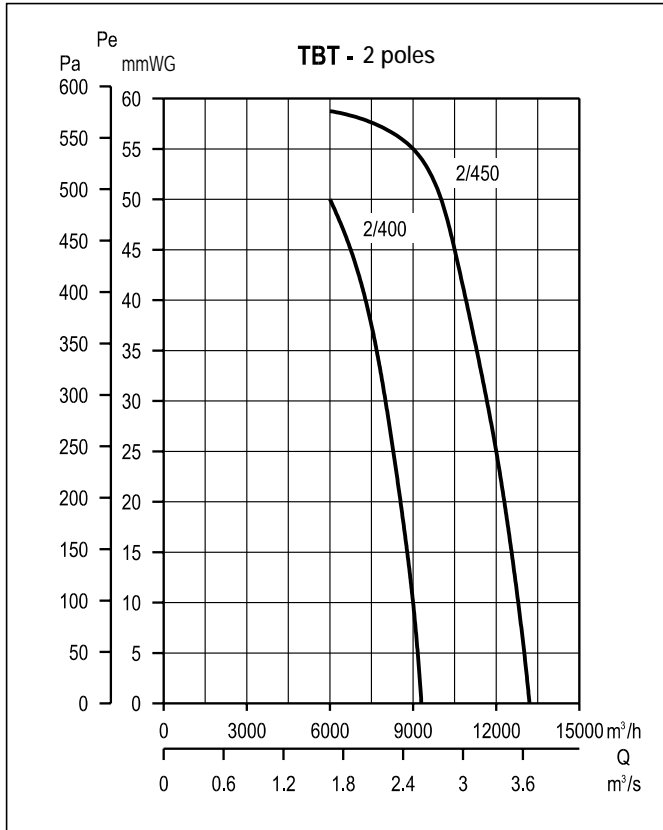
## Dimensions (mm)



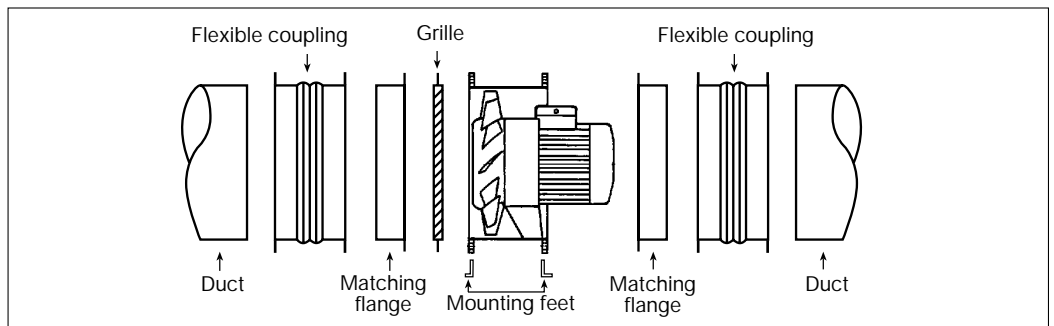
Type	Ø A	B	C	Ø D	Ø E	F	Nº of holes
TBT/2-400	484	450	220	400	10	327	8
TBT/2-450	525	500	220	450	10	407	12

## ■ Performance curves

- Q = Air volume in, m<sup>3</sup>/hr and m<sup>3</sup>/s
- Pe = Static pressure in mmWG and Pa.
- Dry air at 20 °C and 760 mmHg.
- Air flow data in accordance with the following standards: UNE 100-212-89, BS 848, Part 1, AMCA 210-85 and ASHRAE 51-1985.



## ■ Installation and accessories



Type	Protection grilles		Flanges	Flexible coupling	Mounting feet
	Inlet side (impeller)	Outlet side (motor)			
TBT 400	DEF-400 T	DEF-400 T	BRIDA-400	ACOP-400	PIE-400
TBT 450	DEF-450 T	DEF-450 T	BRIDA-450	ACOP-450	PIE-450