

AXIAL BATHROOM FANS

EDM Series



EDM-80 N



EDM-100



EDM-200

■ Description

The EDM Series of axial fans have been designed for domestic ventilation applications and are easy to install, offer quiet operation, aesthetically pleasing and are available with a variety of operational specifications. Air flow performances range from 80 up to 200 m³/hr.

The EDM Series are ideally suited for wall or ceiling mounted installations and for short duct run extract applications. To compliment the fans a wide range of ancillary accessories are available.

■ Construction

The EDM fan casings and impellers are manufactured from tough injection moulded plastic. The following standard specifications apply:

-  **Class II electrical insulation**

- **IP-X4 ("H" versions: IP-X2)**

All motors are single-phase, shaded pole, 230V – 50Hz.

These low consumption electric motors are protected against abnormal overheating:

- by impedance on the EDM-80 and EDM-100.

- by thermal fuse on the EDM-160 and EDM-200.

The maximum working ambient air temperature for the EDM series is 40 °C.

EDM-80 N

NEW
"Z" versions with ball bearings

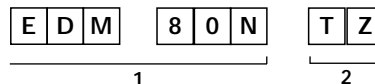


Applications

Designed specifically for the extraction of odours and moisture from toilets, bathrooms and all small rooms requiring ventilation.

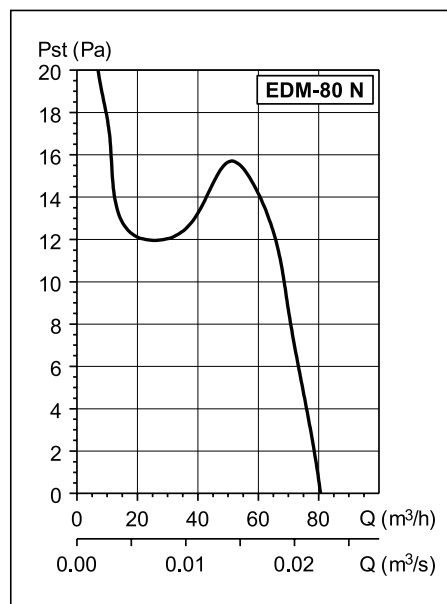
The "Z" versions incorporate long life motors fitted with ball bearings.

Reference



- 1 - Model series
- 2 - Model "options"
 - T - Fixed period Run-on-Timer
 - Z - Motor with ball bearings

Performance curve



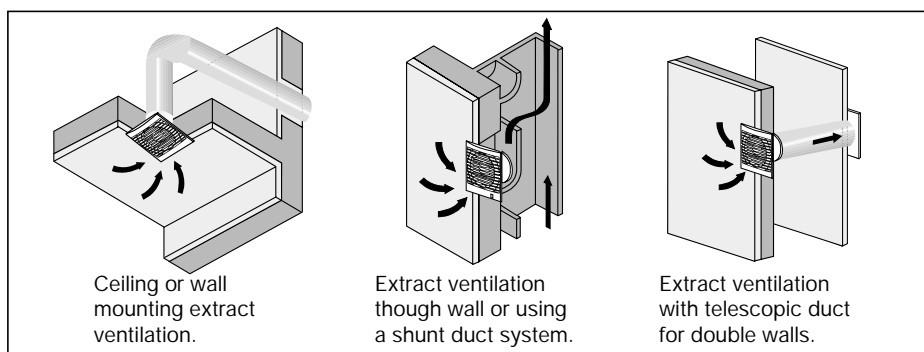
Technical characteristics

Model Type	Speed (r.p.m.)	Maximum power absorbed (W)	Voltage (V) 50 Hz	Maximum air flow (m³/h)	Sound pressure level (dB(A))	Weight (kg)	
EDM-80 N	2350	9	230	80	33	0,4	□ IP-X4
EDM-80 NZ	2350	9	230	80	33	0,4	□ IP-X4
EDM-80 NT	2350	9	230	80	33	0,4	□ IP-X4
EDM-80 NTZ	2350	9	230	80	33	0,4	□ IP-X4

Modelos

Features / Models	EDM-80 N	EDM-80 NZ	EDM-80 NT	EDM-80 NTZ
Slimline profile	•	•	•	•
Discharge guide vane	•	•	•	•
Fixed period Run-on-Timer (8 min)			•	•
Ball bearings		•		•

Installation



Accessories



GSA 100
Flexible aluminium duct

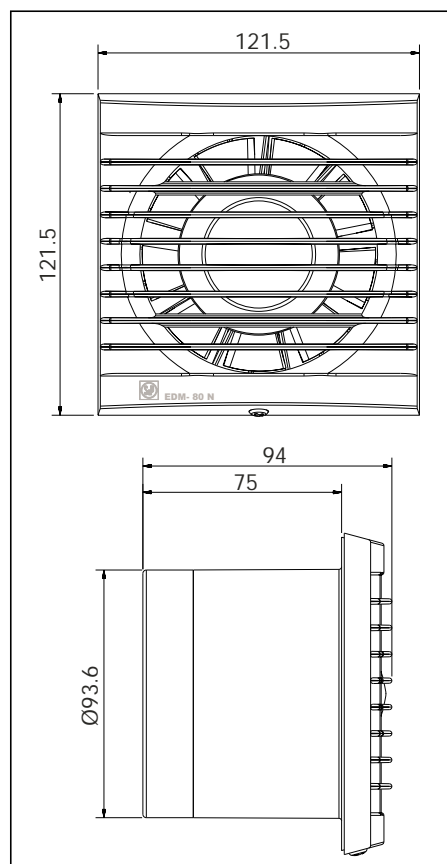


Wall kit with fixed or automatic shutter



CX 125
Worm drive ducting clips.

Dimensions (mm)



EDM-100

Model Options



EDM-100 C



EDM-100 CH



EDM-100 VM

EDM-100S

Basic Model

EDM-100 T

The same characteristics as the basic model and in addition:

- Neon pilot light, power-on indication.
- Fixed period (8 mins) Run-On-Timer.

EDM-100 R

The same characteristics as the basic model and in addition:

- Neon pilot light, power-on indication.
- Adjustable period (2-20 mins) Run-On-Timer.

EDM-100 H

The same characteristics as the basic model and in addition:

- Neon pilot light, power-on indication.
- Adjustable Humidistat (between 65-90% and RH). When the level of humidity rises above the selected level, the fan is automatically switched On.

EDM-100 C

The same characteristics as the basic model and in addition:

- Neon pilot light, power-on indication.
- Automatic back draft shutter.

EDM-100 CT

The same characteristics as the EDM-100 C model and in addition:

- Fixed period (8 mins) Run-On-Timer.

EDM-100 CR

The same characteristics as the EDM-100 C model and in addition:

- Adjustable period (2-20 mins) Run-On-Timer.

EDM-100 EC

The same characteristics as the EDM-100 C model and in addition:

- Adjustable period (2-20 mins) Run-On-Timer.
- Photoelectric cell enabling the automatic operation of the fan by light detection.

EDM-100 CH

The same characteristics as the basic model and in addition:

- Adjustable Humidistat (between 65-90% and RH). When the level of humidity rises above the selected level, the fan is automatically switched On.
- Pull cord switch.

EDM-100 M

The same characteristics as the basic EDM-100 S model and in addition:

- Neon pilot light, power-on indication.
- Automatic back draft shutter.
- Pull cord switch.

EDM-100 VM

The same characteristics as the basic EDM-100 S model and in addition:

- Neon pilot light, power-on indication.
- Automatic back draft shutter.
- Pull cord switch.
- Spacer to facilitate mounting the fan in all types of glass (single and double glazed)
- Hole diameter: 106mm

EDM-100 VMH

The same characteristics as the basic EDM-100 VM model and in addition:

- Adjustable Humidistat (between 65-90% and RH). When the level of humidity rises above the selected level, the fan is automatically switched On.

Features/Models	EDM-100 S	EDM-100 T	EDM-100 R	EDM-100 H	EDM-100 C	EDM-100 CT	EDM-100 CR	EDM-100 EC	EDM-100 CH	EDM-100 M	EDM-100 VM	EDM-100 VMH
Neon pilot light		•	•	•	•	•	•	•	•	•	•	•
Fixed period Run-On-Timer		•				•						
Adjustable period Run-On-Timer			•				•	•				
Automatic shutter					•	•	•	•	•	•	•	•
Photoelectric cell								•				
Adjustable humidistat				•					•			•
Pull cord switch				•					•	•	•	•
Adaptation for glass											•	•
Exterior grille											•	•

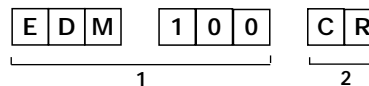
EDM-100



Applications

The EDM-100 models are suitable for the extraction of odours and moisture from toilets, bathrooms and all small rooms requiring ventilation.

Reference



- 1 - Model series
- 2 - Model options, see previous page

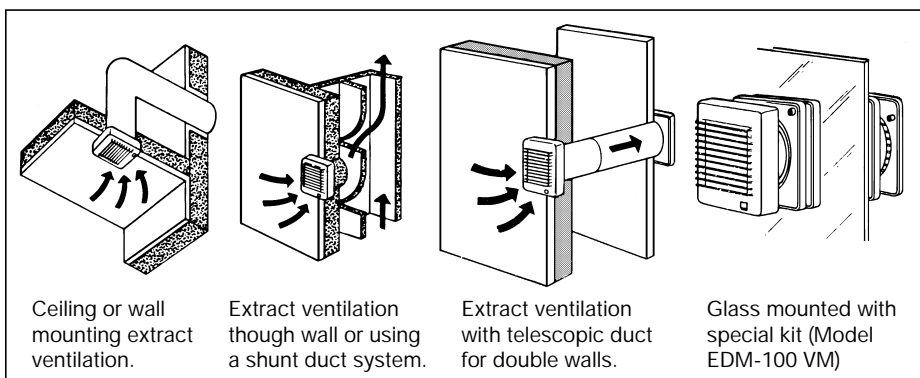
Technical characteristics

Model type	Speed (r.p.m.)	Maximum power absorbed (W)	Voltage (V) 50 Hz	Maximum air flow (m ³ /h)	Sound pressure level (dB(A))*	Weight (kg)	
EDM-100	2450	13	230	95	40	0,48	<input type="checkbox"/> IP-X4**

* At 1,5 m distance.

** "H" Versions: IP-X2

Installation



Accessories



GSA 100
Flexible aluminium duct



GRA
Aluminium exterior grille



CX 125
Worm drive ducting clips



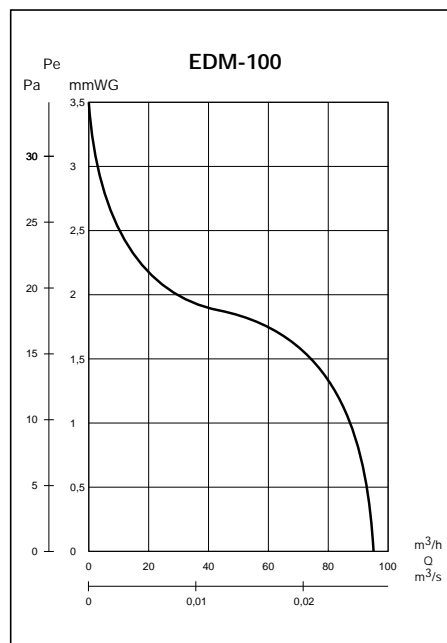
Wall kit with fixed or automatic shutter



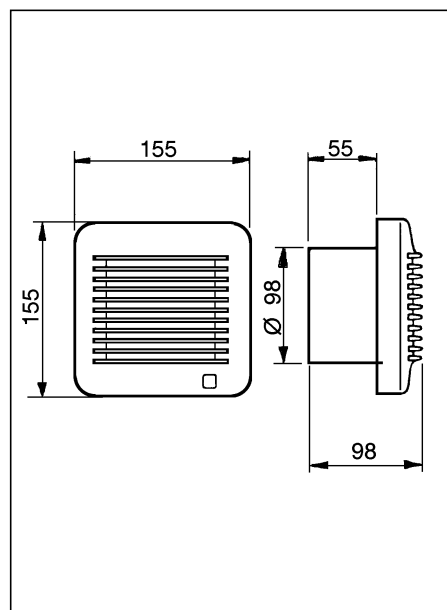
PER
Back draft shutter

CM 130
Over pressure shutter

Performance curve



Dimensions (mm)



EDM-100-12V



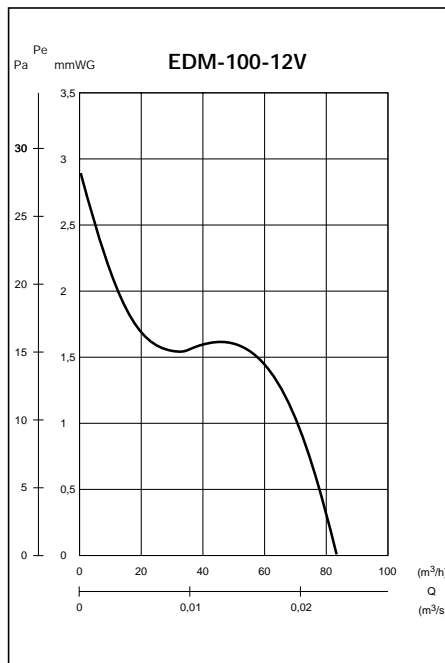
Construction

The EDM-100-12V models are designed for operation at SELV (Safety Extra Low Voltage), allowing them to be installed within the shower or bath volume with total safety. They are rated IP-57 and Class III. They must be wired to a safety transformer CT-12/14 or CT-12/14R 230V / 12V

The range includes the following models:
 - EDM-100 S 12V (basic model)
 - EDM-100 C 12V (model with automatic back draught shutter and neon pilot light power-on indication).

The fans must be operated through a safety operated transformer 230V / 12V (model CT-12/14).

Performance curve



Technical characteristics

Model Type	Speed (r.p.m.)	Maximum power absorbed (W)	Voltage (V) at 50 Hz	Maximum air flow (m³/h)	Sound pressure level (dB(A))*	Weight (kg)	
EDM-100S-12V	2100	7	12	85	37	0,48	⊕ IP-57
EDM-100C-12V	2100	11	12	85	37	0,48	⊕ IP-57

* At 1,5 m distance

Accessories



Transformer CT-12/14

Safety isolating transformer which must be used with the EDM-100-12V fans and should be located out of the reach of the water spray or person using a bath or shower.

- Supply Voltage / Output Voltage: 230V / 12V 50Hz single phase.
- IP21. Class II double insulated appliance.
- Incorporates an internal fuse (replaceable).

Transformer CT-12/14 R with run-on timer

Same characteristics as CT-12/14, incorporating an adjustable timer between 1 and 30 min.



GRA-70
Aluminium exterior grille



PER-100W
Exterior back draft shutter



GSA-100
Flexible aluminium duct

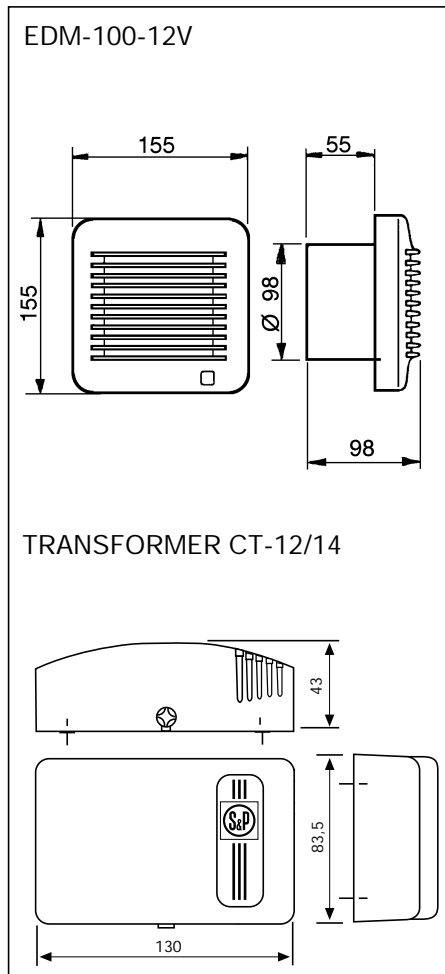


Wall kit with fixed or automatic shutter



CX-125
Worm drive ducting clips

Dimensions (mm)

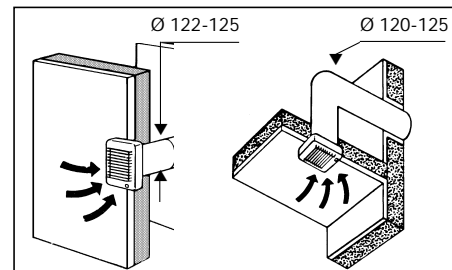


EDM-200



Applications - Installation

The EDM-200 models are suitable for the extraction of odours and moisture from large toilets, bathrooms, utility and all small rooms requiring ventilation.



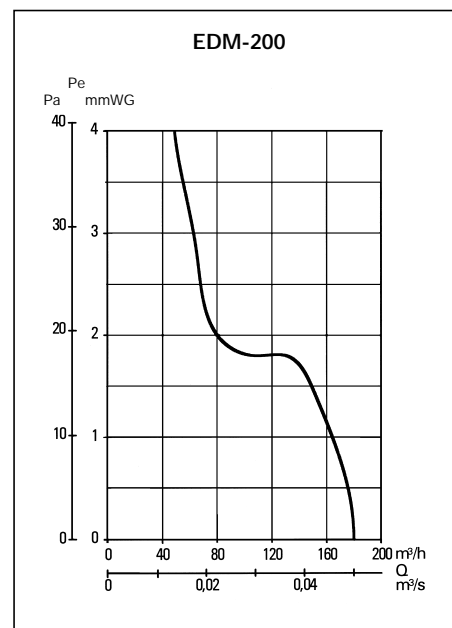
Technical characteristics

Model Type	Speed (r.p.m.)	Maximum power absorbed (W)	Voltage (V) 50 Hz	Maximum air flow (m ³ /h)	Sound pressure level* (dB(A))	Weight (kg)	
EDM-200	2500	25	220-240	180	46	0,9	☐ IP-X4**

* At 1,5 m distance.

** "H" Versions: IP-X2.

Performance curve



Models

Features/Models	EDM-200 S	EDM-200 T	EDM-200 H	EDM-200 C	EDM-200 CT	EDM-200 CR	EDM-200 CH
Neon pilot light		•	•	•	•	•	•
Fixed period Run-On-Timer		•			•		
Adjustable period Run-on-Timer						•	
Automatic shutter				•	•	•	•
Adjustable humidistat			•				•
Pull cord switch			•				•

Accessories



GSA
Flexible aluminium duct



PER
Back draft shutter

CM 130
Back draft shutter



CX
Worm drive ducting clips



GRA
Aluminium exterior grille

Dimensions (mm)

